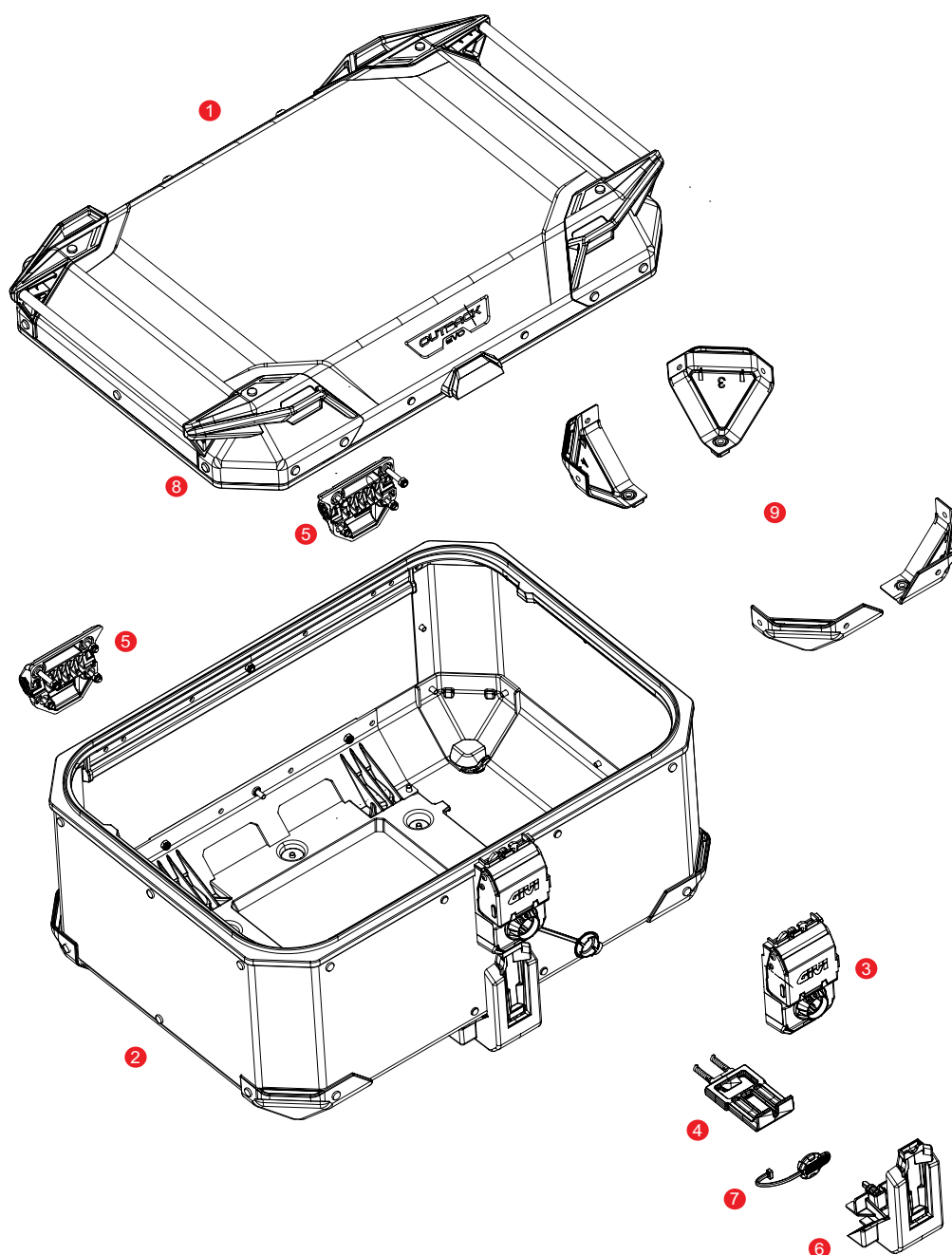


TREKKER OUTBACK EVO SMART 58 / 42



1	ZOBKEV58ACM	OBKEV58A assembled Top Shell silver aluminium	5.280,- Kč	ZOBKEV42AFM	OBKEV42A assembled Bottom Shell silver aluminium	6.543,- Kč	
	ZOBKEV58BCM	OBKEV58B assembled Top Shell black aluminium	5.474,- Kč	ZOBKEV42BFM	OBKEV42B assembled Bottom Shell black aluminium	6.685,- Kč	
	ZOBKEV58AACM	OBKEV58AA assembled Top Shell anodised aluminium	5.748,- Kč	ZOBKEV42AAFM	OBKEV42AA assembled Bottom Shell anodised aluminium	7.522,- Kč	
	ZOBKEV42ACM	OBKEV42A assembled Top Shell silver aluminium	4.465,- Kč	3	Z8452CMR	Lock set	1.623,- Kč
	ZOBKEV42BCM	OBKEV42B assembled Top Shell black aluminium	4.719,- Kč	4	Z1782CR	Bolt with springs	196,- Kč
	ZOBKEV42AACM	OBKEV42AA assembled Top Shell anodised aluminium	4.816,- Kč	5	Z8160R	Pair of top-shell rotation hinges	683,- Kč
2	ZOBKEV58AFM	OBKEV58A assembled Bottom Shell silver aluminium	7.830,- Kč	6	Z8025R	Mounted release system	454,- Kč
	ZOBKEV58BFM	OBKEV58B assembled Bottom Shell black aluminium	8.519,- Kč		Z4831R	Aluminium release lever for Trekker Outback EVO SMART 42, 58 ltr	417,- Kč
	ZOBKEV58AAFM	OBKEV58AA assembled Bottom Shell anodised aluminium	9.106,- Kč	7	Z8032R	Dustproof cap	196,- Kč
				8	Z8941R	Trim for aluminium cases, 180cm	93,- Kč
				9	Z4997R	External bottom angled kit	466,- Kč
					Z8098R	Soft inner mat for OBK58	380,- Kč
					Z8099R	Soft inner mat for OBK42	247,- Kč